

# LIGHTNIN<sup>®</sup> Quik-Connect<sup>™</sup> Modular Mixers

**Worry-free  
portable  
mixing.**



**YOU AND LIGHTNIN. THE RIGHT MIX.**

**LIGHTNIN**

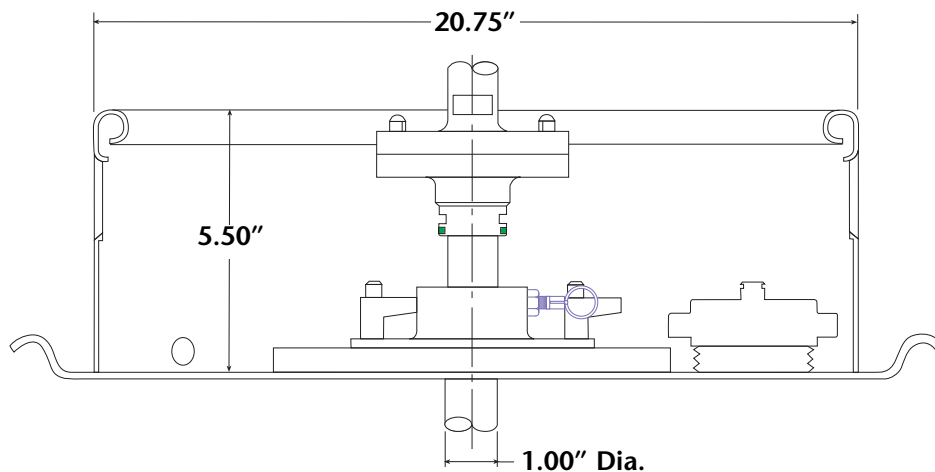
# Portable mixing with a twist.

Grab the new *LIGHTNIN* Quik-Connect™ Modular Mixer, put it on your intermediate bulk container (IBC) and give it a twist. It's the easiest, most secure way to mix during manufacturing, prior to shipment, at customer locations, and at intervals during storage. One mixer does it all, with no cumbersome mounting, no clean up, and no possibility of cross contamination. Plus, Quik-Connect Mixers comply with 1996 U.S. Department of Transportation regulations for the ultimate in worry-free mixing.

*LIGHTNIN* Quik-Connect Mixers provide high-torque mixing at low speeds. Air-driven models are available in 1/3, 1 and 3 hp. Electrical models come in speeds up to 3 1/2 hp.

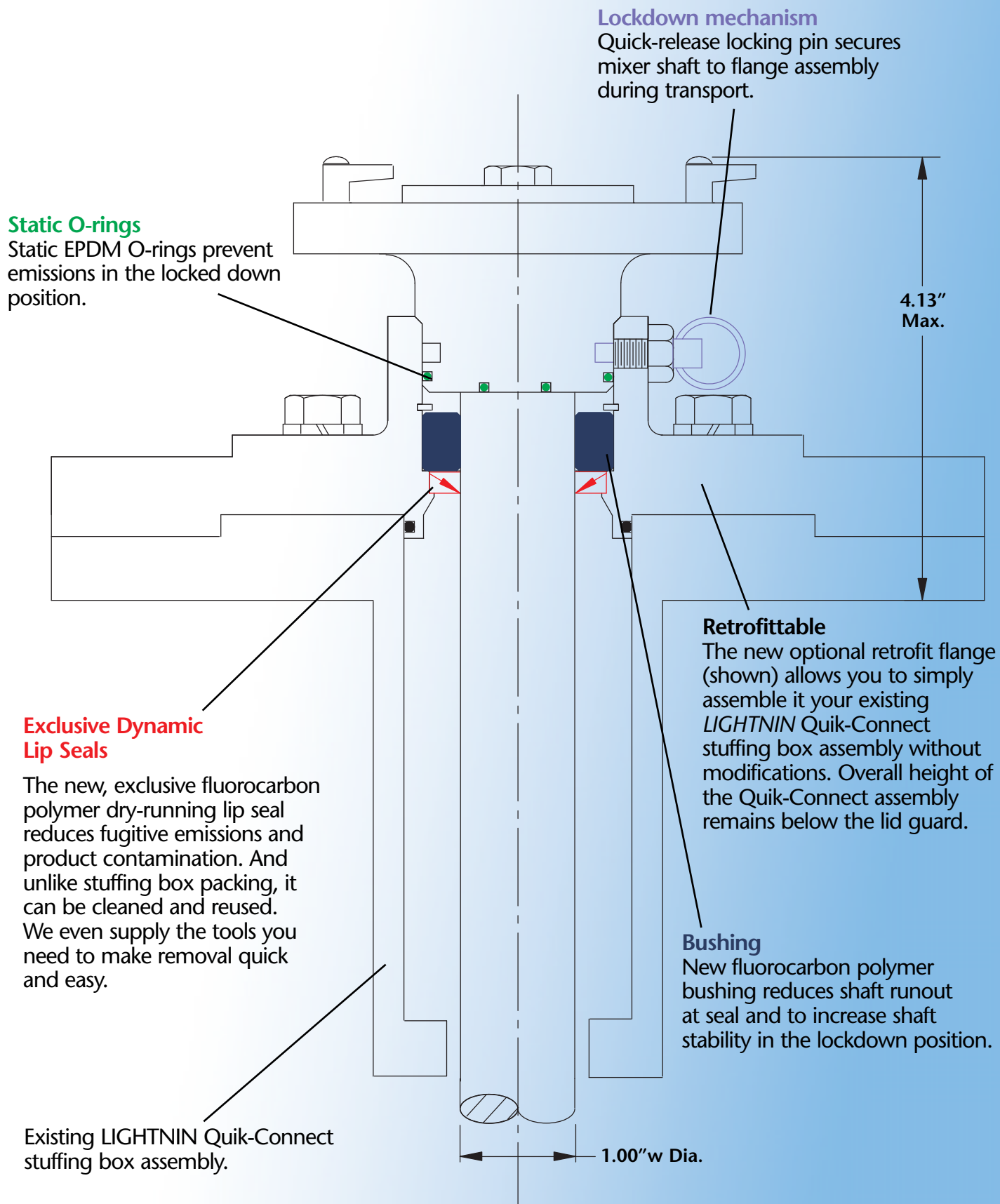
## 100% Guarantee

*LIGHTNIN* guarantees its mixers and results 100 percent.



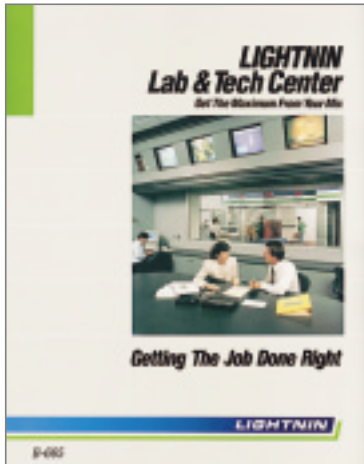
*New Intermediate Bulk Container lid with rolled top.*





*This new retrofit assembly brings the old Quik-Connect design up to current DOT standards, with no modifications to your existing assembly (shown in lock-down position).*

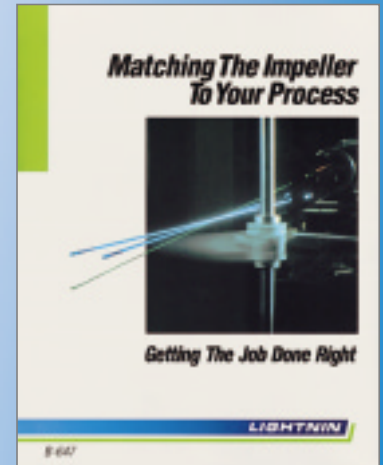
Learn more about these other high-performance mixers from *LIGHTNIN*. Ask your local *LIGHTNIN* Sales Engineer for the following product literature.



B-665



B-610



B-647



B-667



B-552



135 Mt. Read Blvd., P.O. Box 1370, Rochester, New York 14603

Telephone: 716-436-5550 Fax: 716-436-5589

Internet Address: <http://www.LIGHTNIN-MIXERS.COM>

Members of the *LIGHTNIN* group are located in the following cities:

Rochester, NY, USA • Toronto, Canada • Poynton, England • Jurong, Singapore • Sydney, Australia • Milan, Italy • Shanghai, China • Rio de Janeiro, Brazil • Johannesburg, South Africa

